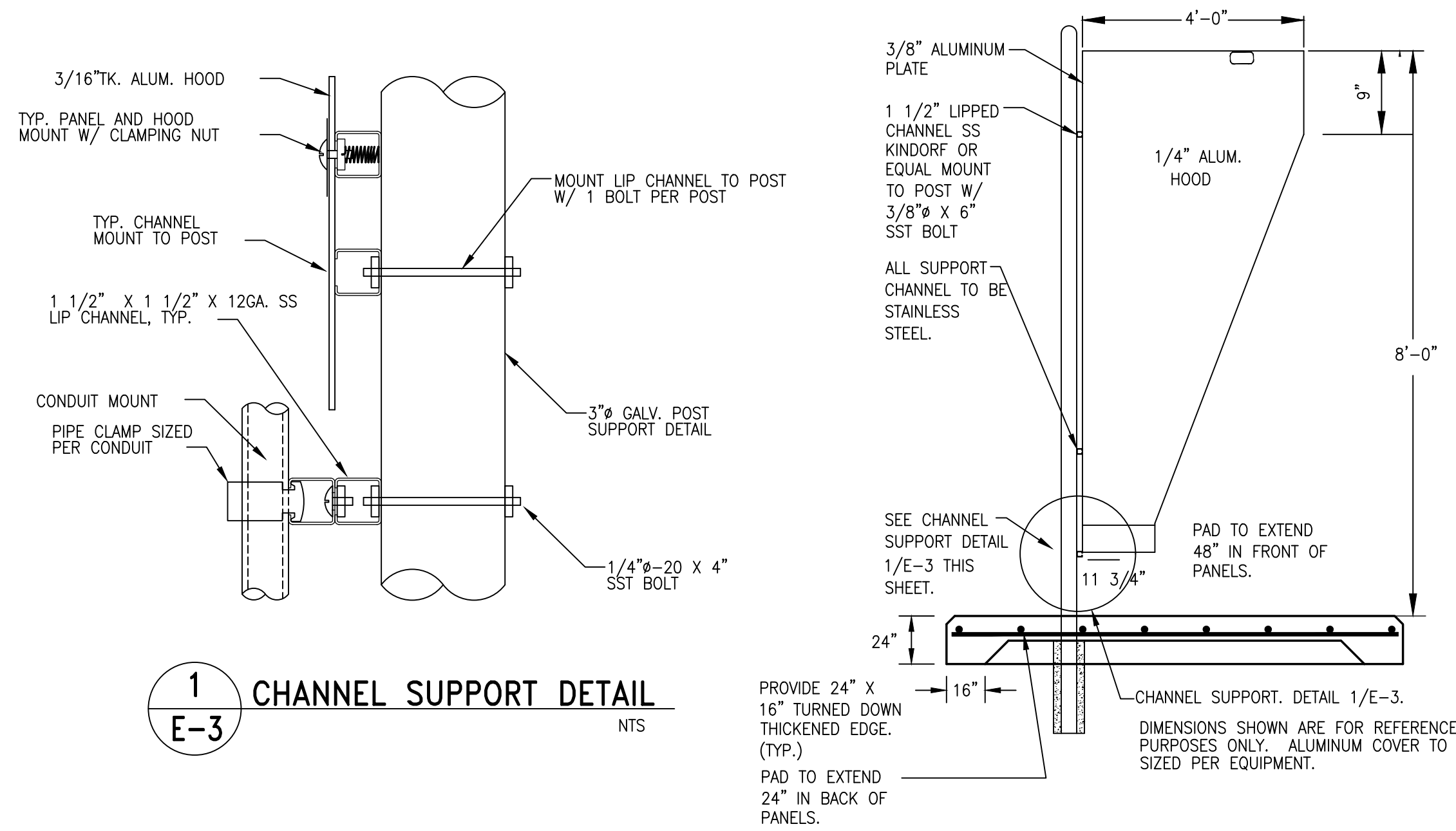
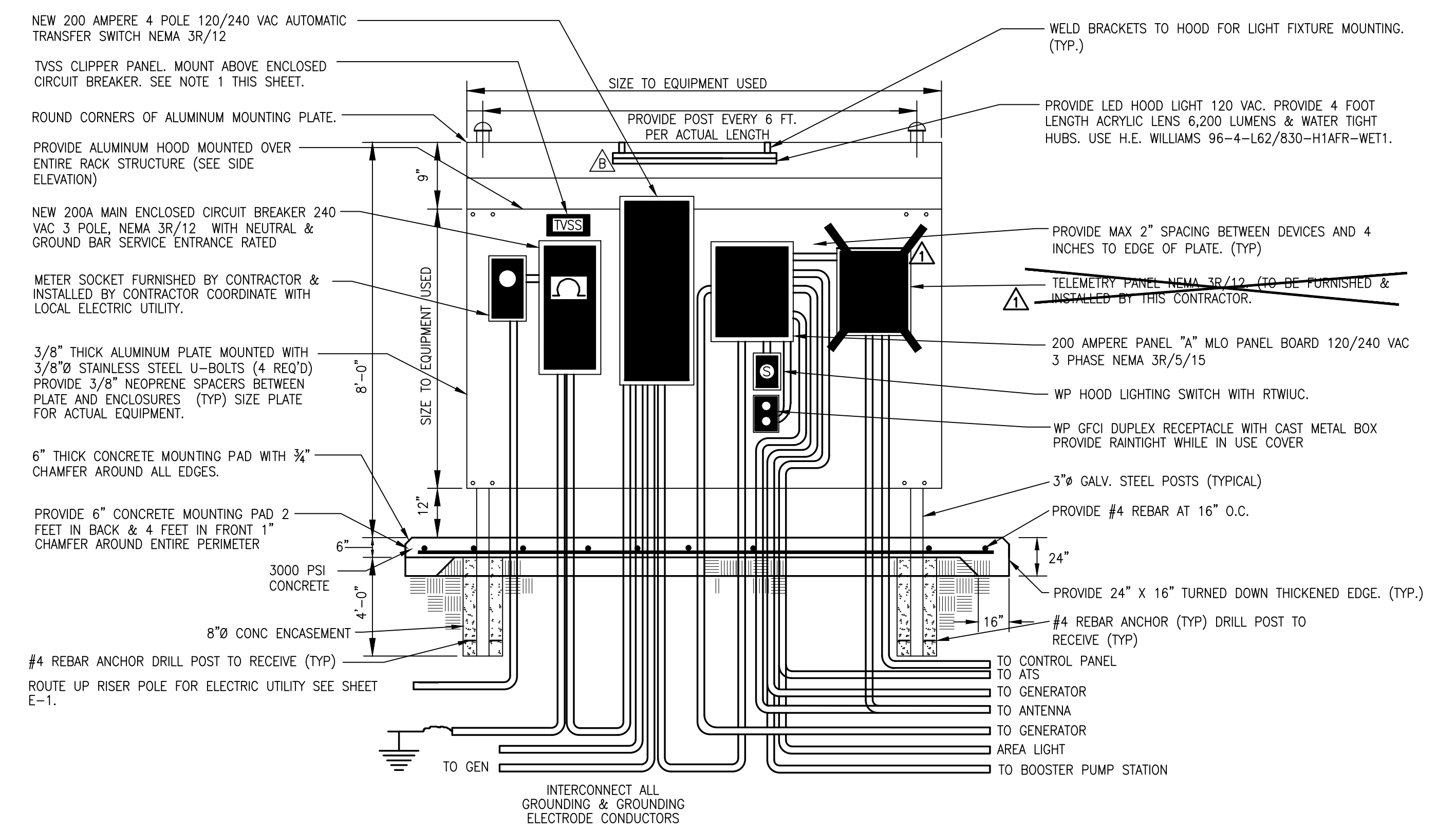


**CONDUIT & CABLE SCHEDULE**

- 1 3-3/0 AWG CU. THHN/THWN UNGROUNDED CONDUCTORS  
1-3/0 AWG CU. THHN/THWN NEUTRAL CONDUCTOR  
2-1/2" CONDUIT
- 1A 3-3/0 AWG CU. THHN/THWN UNGROUNDED CONDUCTORS  
1-3/0 AWG CU. THHN/THWN NEUTRAL CONDUCTOR  
1-#6 AWG CU. THHN/THWN GROUNDING CONDUCTOR  
2-1/2" CONDUIT
- 2 3-3/0 AWG CU. THHN/THWN UNGROUNDED CONDUCTORS  
1-3/0 AWG CU. THHN/THWN NEUTRAL CONDUCTOR  
1-#6 AWG CU. THHN/THWN GROUNDING CONDUCTOR  
2-1/2" CONDUIT
- 3 MANUFACTURER'S POWER & CONTROL CABLES CONTINUOUS NO SPLICES  
2" CONDUIT
- 4 MANUFACTURER'S SENSOR CABLES CONTINUOUS NO SPLICES.  
2" CONDUIT
- 5 FLOAT CONTROL CABLES CONTINUOUS NO SPLICES.  
2" CONDUIT
- 6 1-#2 AWG CU. THHN/THWN GROUNDING CONDUCTOR  
3/4" CONDUIT
- 7 2" CONDUIT FOR TELEMETRY COAXIAL CABLE
- 8 SURGE CABLE  
1" CONDUIT
- 9 1-#12 AWG CU. THHN/THWN UNGROUNDED CONDUCTORS  
1-#12 AWG CU. THHN/THWN NEUTRAL CONDUCTOR  
1-#12 AWG CU. THHN/THWN GROUNDING CONDUCTOR  
3/4" CONDUIT
- 10 4-#14 AWG CU. THHN/THWN ALARM CONDUCTORS  
1-#14 AWG CU. THHN/THWN GROUNDING CONDUCTOR  
3/4" CONDUIT
- 11 1-#10 AWG CU. THHN/THWN UNGROUNDED CONDUCTORS  
1-#10 AWG CU. THHN/THWN NEUTRAL CONDUCTOR  
1-#10 AWG CU. THHN/THWN GROUNDING CONDUCTOR  
3/4" CONDUIT
- 12 1-#8 AWG CU. THHN/THWN GROUNDING CONDUCTOR  
3/4" CONDUIT
- 13 20-#14 AWG CU. THHN/THWN ALARM CONDUCTORS  
1-#14 AWG CU. THHN/THWN GROUNDING CONDUCTOR  
3/4" CONDUIT
- 14 2 - 2 PAIR (4 CONDUCTOR) TWISTED SHIELDED INSTRUMENTATION CABLE W/ TAPE SHIELD & DRAIN WIRES 16 AWG  
1" CONDUIT

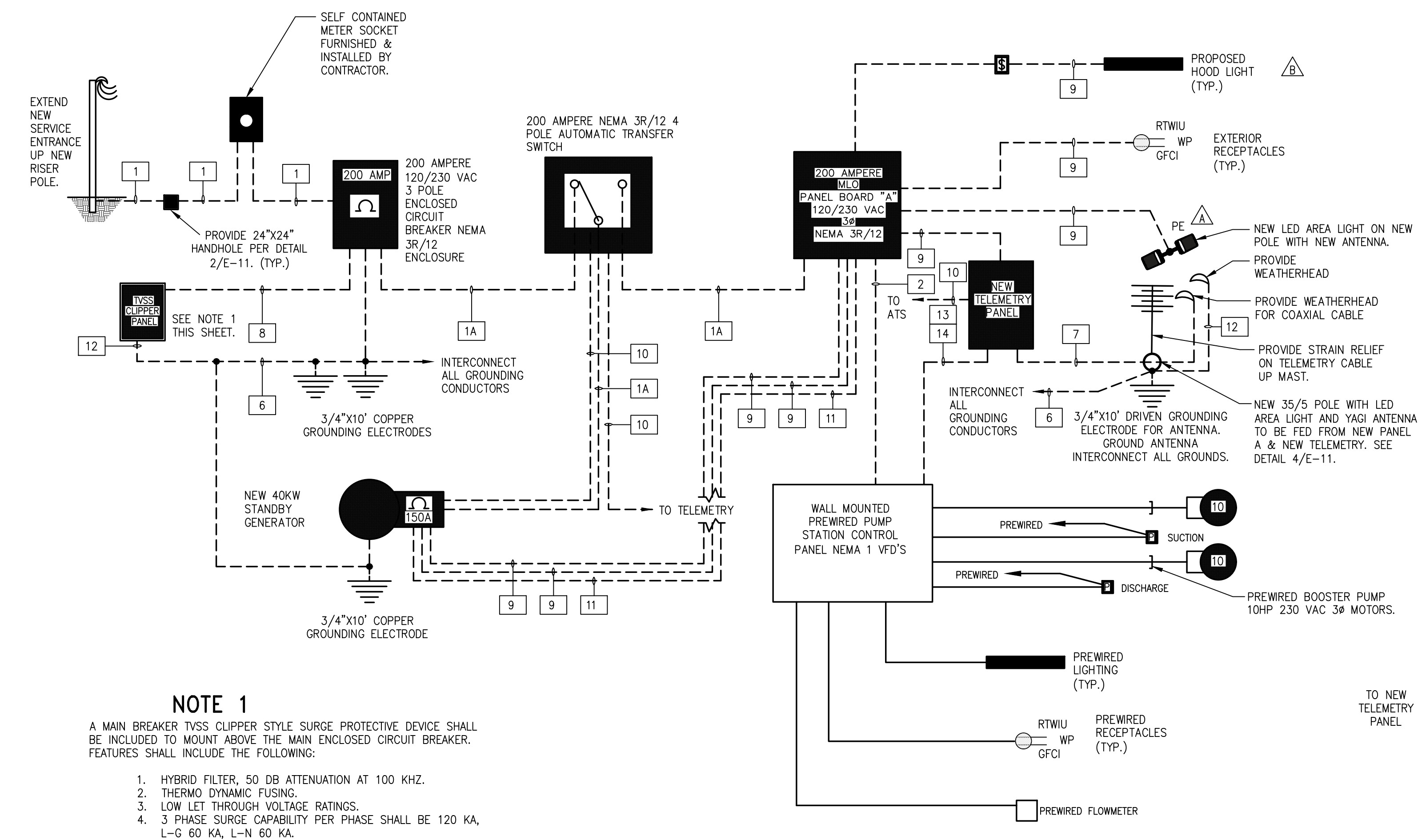


**1 CHANNEL SUPPORT DETAIL**  
NTS



**2 REMOTE STATION EQUIPMENT RACK**  
REFER TO CONDUIT & CABLE SCHEDULE FOR ALL CONDUIT & WIRE  
E-3 NTS

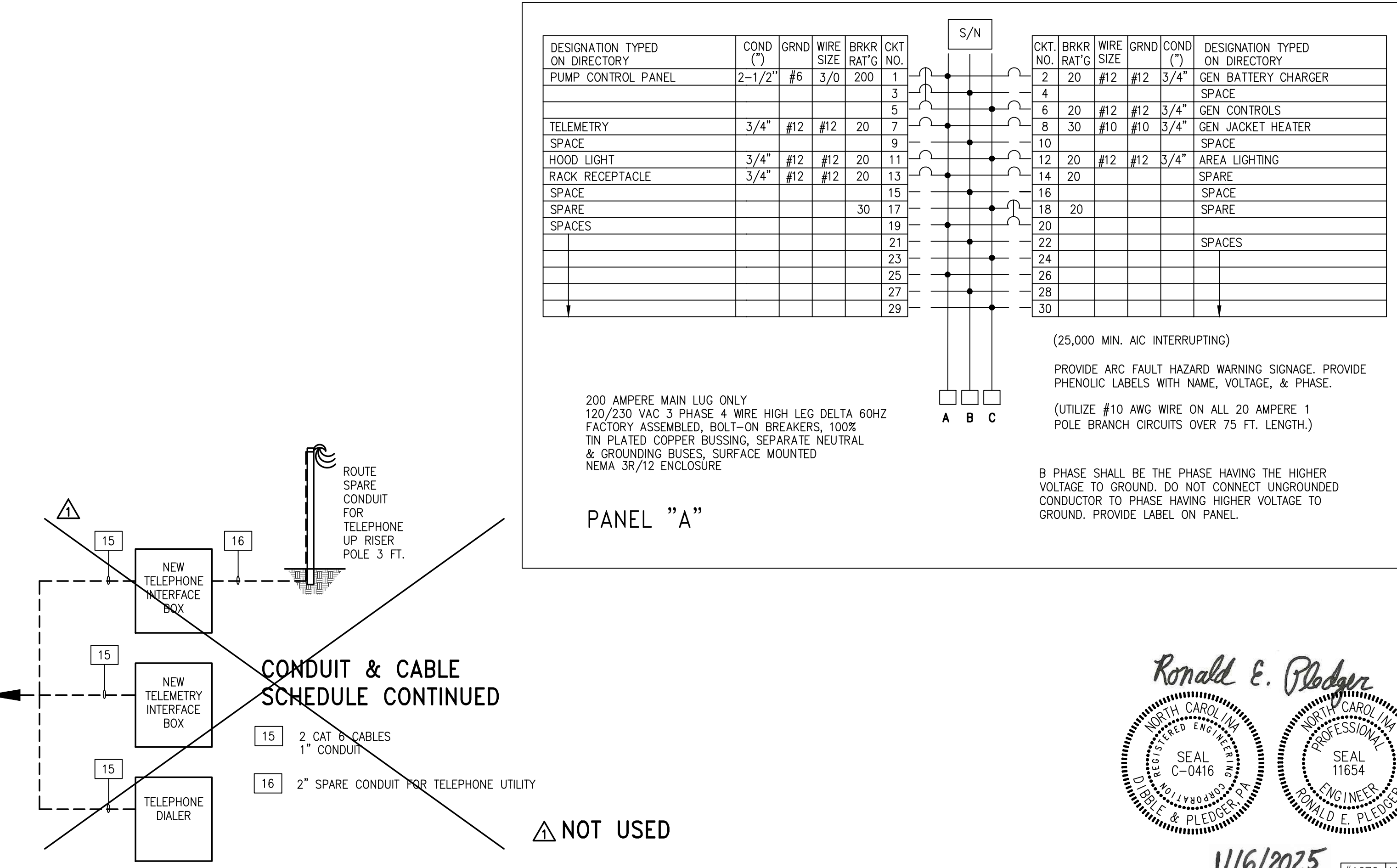
CONDUIT & CABLE SCHEDULE CONTINUED ON TELECOMMUNICATIONS ONE LINE THIS SHEET.



**NOTE 1**

- A MAIN BREAKER TVSS CLIPPER STYLE SURGE PROTECTIVE DEVICE SHALL BE INCLUDED TO MOUNT ABOVE THE MAIN ENCLOSED CIRCUIT BREAKER. FEATURES SHALL INCLUDE THE FOLLOWING:
- HYBRID FILTER, 50 DB ATTENUATION AT 100 KHZ.
  - THERMO DYNAMIC FUSING.
  - LOW LET THROUGH VOLTAGE RATINGS.
  - 3 PHASE SURGE CAPABILITY PER PHASE SHALL BE 120 KA, L-G 60 KA, L-N 60 KA.
  - PROVIDE AS THOR SYSTEMS INC. 804-355-1100 OR APPROVED EQUAL.

**3 ELECTRICAL ONE LINE DIAGRAM - INSTALLATION**  
N.T.S.



**4 TELECOMMUNICATIONS ONE LINE DIAGRAM**  
NTS

**CONDUIT & CABLE SCHEDULE CONTINUED**

- 15 2 CAT 5 CABLES  
1" CONDUIT
- 16 2" SPARE CONDUIT FOR TELEPHONE UTILITY

NOT USED

*Ronald E. Pledger*  
SEAL C-0416  
11/6/2025 #1676 LD6341

RELEASED FOR CONSTRUCTION  
DIBBLE & PLEDGER, P.A.  
222 WEST MAIN STREET, WASHINGTON N.C. 27889  
PHONE: (252) 946-3320 FAX: (252) 946-5160  
E-MAIL: rpledger@dibbleandpledger.com

**GREEN ENGINEERING**  
WATER, WASTEWATER, SURVEYING, PLANNING, PROJECT MANAGEMENT  
NORTH CAROLINA FIRM LICENSE: P-0115  
303 GOLDSBORO STREET EAST, P.O. BOX 609 WILSON, N.C. 27893  
TEL (252) 237-5365 FAX (252) 243-7489 OFFICE@GREENENG.COM

**HYDE COUNTY PUBLIC UTILITIES**  
**BOOSTER PUMP STATIONS**  
TOWN / CITY NAME  
COUNTY, NORTH CAROLINA

**SCRANTON ELECTRICAL ONE LINE DIAGRAM + SCHEDULES**

REVISION	DATE	BY	DATE
ADDENDA #1 SCADA	3/19/25	REP	October 30, 2023

GRAPHIC SCALE  
0 10 20  
SCALE IN FEET

CLIENT CODE: XXXXX  
JOB NUMBER: XX-XXX  
FIELD BOOK: XXX  
CADFILE: LD6341.dwg  
ASCII FILE:  
LAST MODIFIED: 30-Oct-23  
MODIFIED BY: XXX

SHEET NO. **E-3** OF **11**