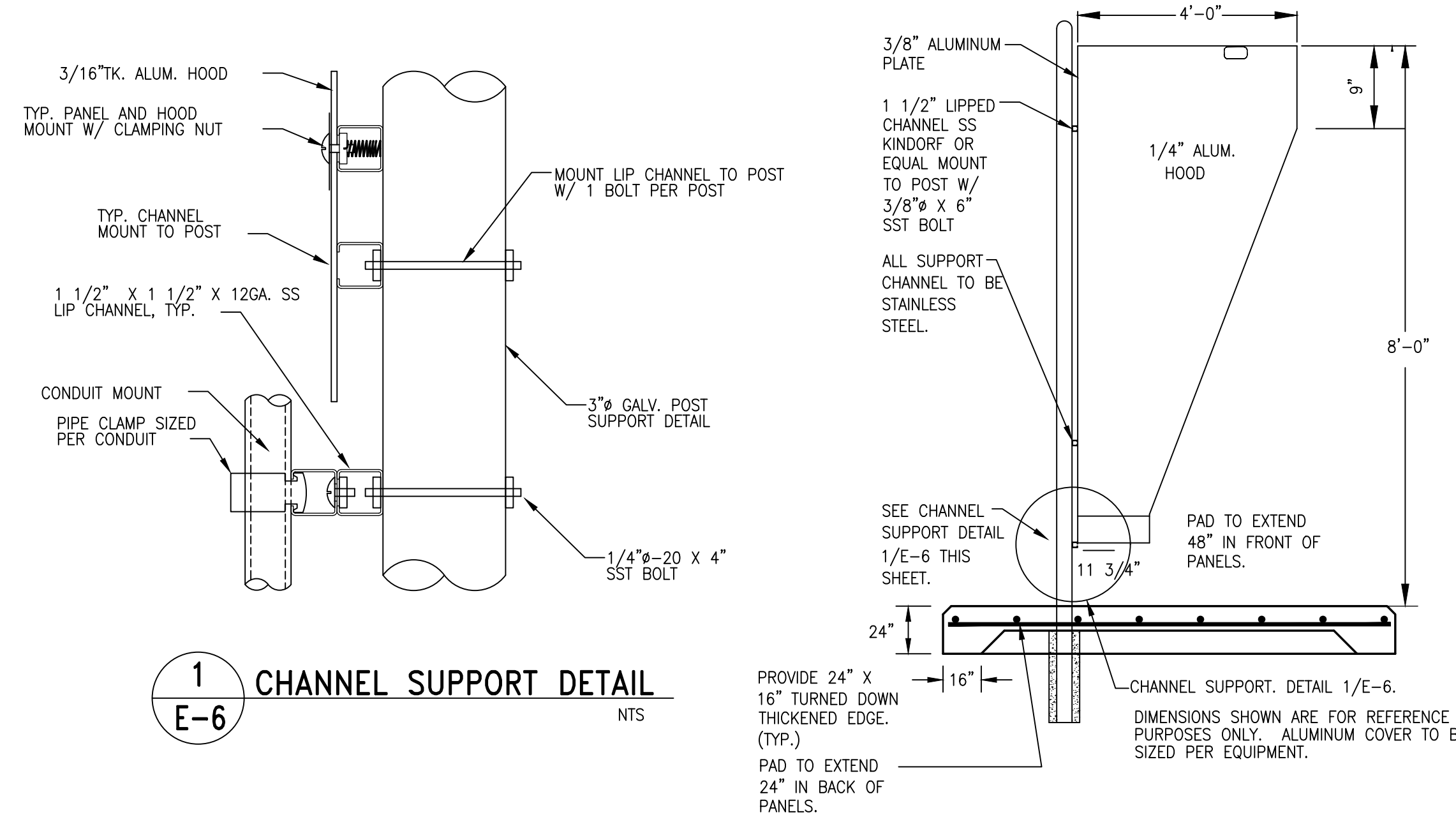
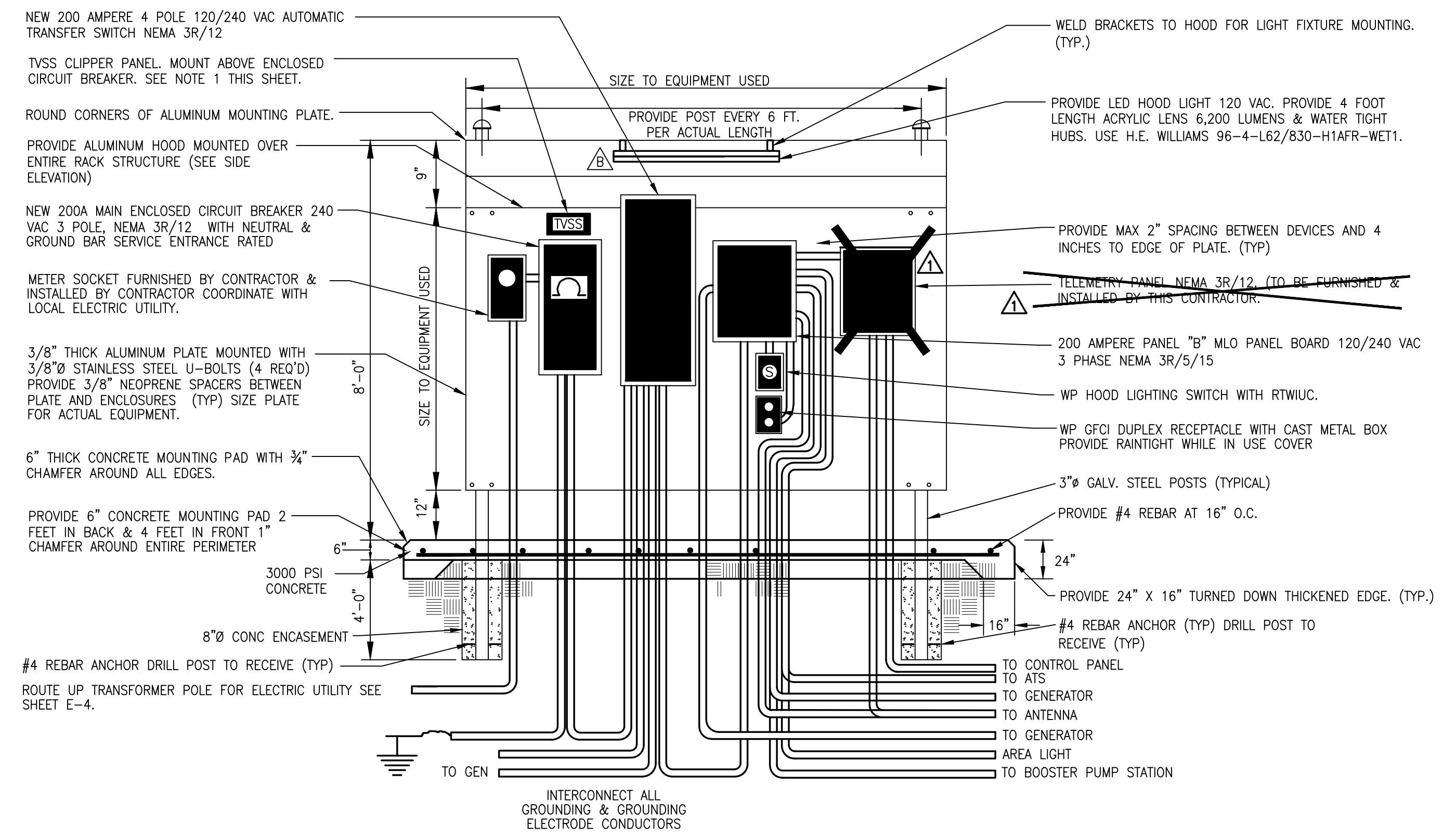


**CONDUIT & CABLE SCHEDULE**

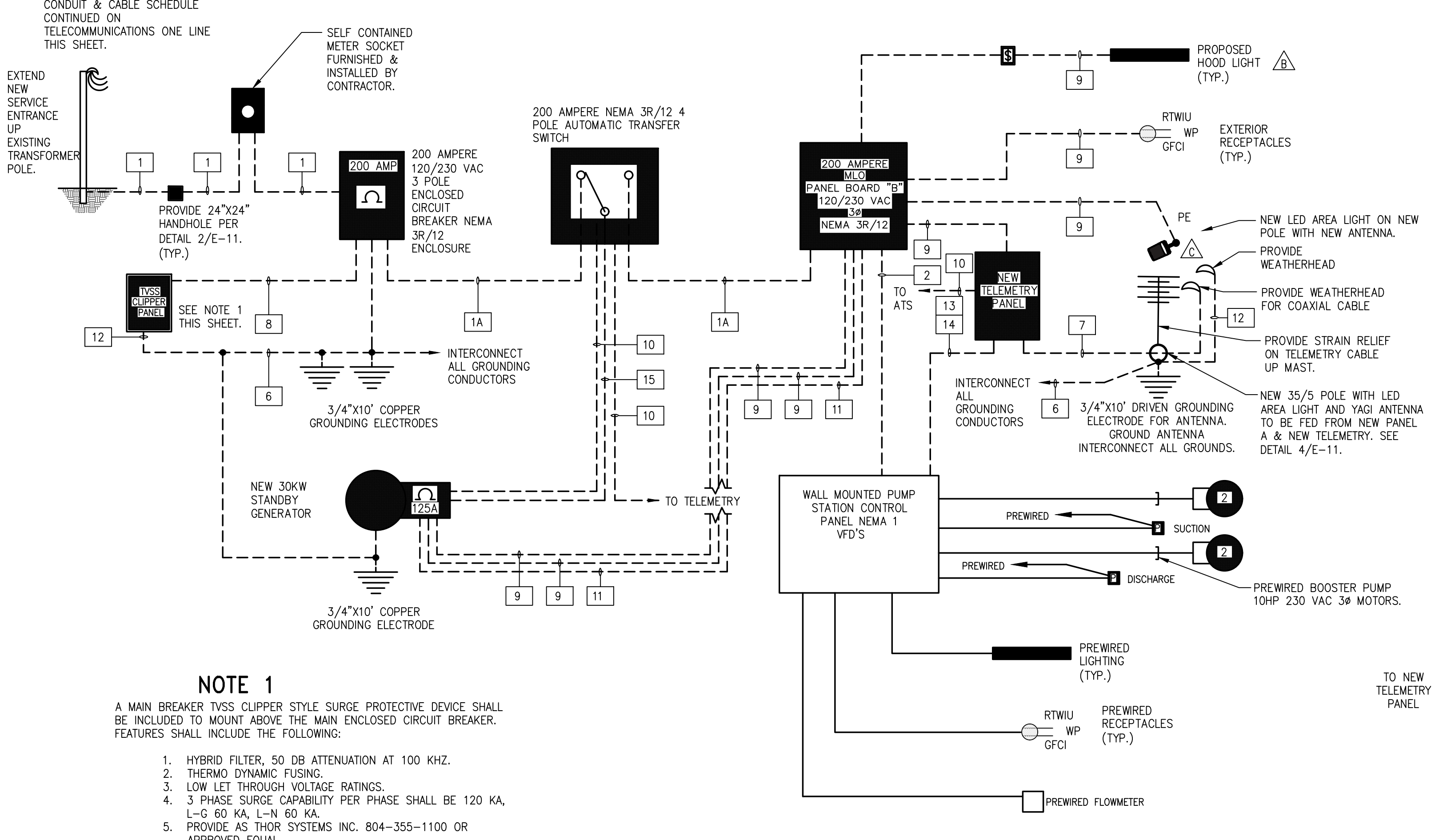
- 1 3-3/0 AWG CU. THHN/THWN UNGROUNDED CONDUCTORS  
1-3/0 AWG CU. THHN/THWN NEUTRAL CONDUCTOR  
2-1/2" CONDUIT
- 1A 3-3/0 AWG CU. THHN/THWN UNGROUNDED CONDUCTORS  
1-3/0 AWG CU. THHN/THWN NEUTRAL CONDUCTOR  
1-#6 AWG CU. THHN/THWN GROUNDING CONDUCTOR  
2-1/2" CONDUIT
- 2 3-3/0 AWG CU. THHN/THWN UNGROUNDED CONDUCTORS  
1-3/0 AWG CU. THHN/THWN NEUTRAL CONDUCTOR  
1-#6 AWG CU. THHN/THWN GROUNDING CONDUCTOR  
2-1/2" CONDUIT
- 3 MANUFACTURER'S POWER & CONTROL CABLES CONTINUOUS NO SPLICES  
2" CONDUIT
- 4 MANUFACTURER'S SENSOR CABLES CONTINUOUS NO SPLICES.  
2" CONDUIT
- 5 FLOAT CONTROL CABLES CONTINUOUS NO SPLICES.  
2" CONDUIT
- 6 1-#2 AWG CU. THHN/THWN GROUNDING CONDUCTOR  
3/4" CONDUIT
- 7 2" CONDUIT FOR TELEMETRY COAXIAL CABLE
- 8 SURGE CABLE  
1" CONDUIT
- 9 1-#12 AWG CU. THHN/THWN UNGROUNDED CONDUCTORS  
1-#12 AWG CU. THHN/THWN NEUTRAL CONDUCTOR  
1-#12 AWG CU. THHN/THWN GROUNDING CONDUCTOR  
3/4" CONDUIT
- 10 4-#14 AWG CU. THHN/THWN ALARM CONDUCTORS  
1-#14 AWG CU. THHN/THWN GROUNDING CONDUCTOR  
3/4" CONDUIT
- 11 1-#10 AWG CU. THHN/THWN UNGROUNDED CONDUCTORS  
1-#10 AWG CU. THHN/THWN NEUTRAL CONDUCTOR  
1-#10 AWG CU. THHN/THWN GROUNDING CONDUCTOR  
3/4" CONDUIT
- 12 1-#8 AWG CU. THHN/THWN GROUNDING CONDUCTOR  
3/4" CONDUIT
- 13 20-#14 AWG CU. THHN/THWN ALARM CONDUCTORS  
1-#14 AWG CU. THHN/THWN GROUNDING CONDUCTOR  
3/4" CONDUIT
- 14 2 - 2 PAIR (4 CONDUCTOR) TWISTED SHIELDED INSTRUMENTATION CABLE W/ TAPE SHIELD & DRAIN WIRES 16 AWG  
1" CONDUIT
- 15 3-1/0 AWG CU. THHN/THWN UNGROUNDED CONDUCTORS  
1-1/0 AWG CU. THHN/THWN NEUTRAL CONDUCTOR  
1-#6 AWG CU. THHN/THWN GROUNDING CONDUCTOR  
2" CONDUIT



**1 CHANNEL SUPPORT DETAIL**  
E-6 NTS

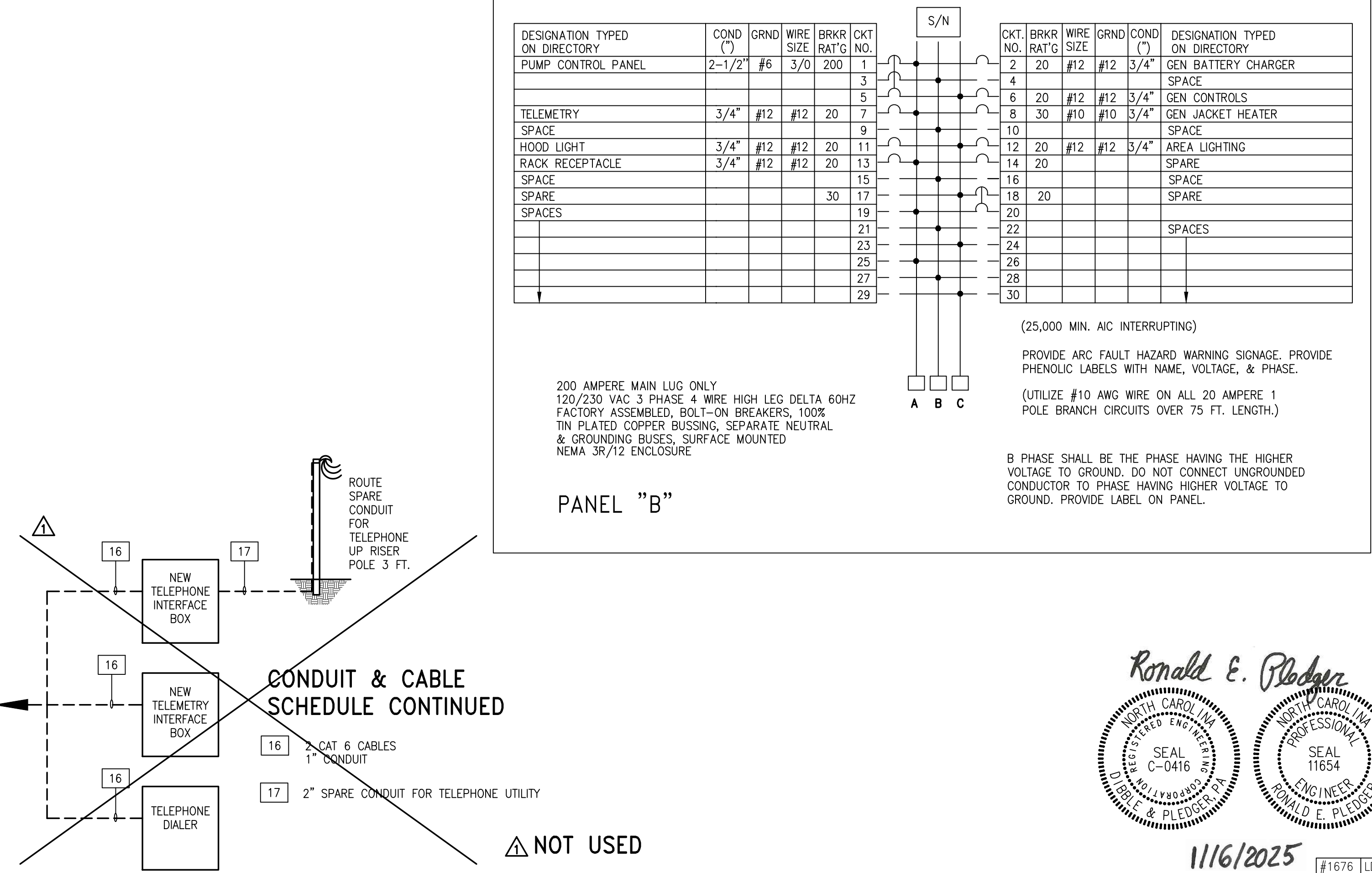


**2 REMOTE STATION EQUIPMENT RACK**  
E-6 REFER TO CONDUIT & CABLE SCHEDULE FOR ALL CONDUIT & WIRE NTS



**NOTE 1**  
A MAIN BREAKER TVSS CLIPPER STYLE SURGE PROTECTIVE DEVICE SHALL BE INCLUDED TO MOUNT ABOVE THE MAIN ENCLOSED CIRCUIT BREAKER. FEATURES SHALL INCLUDE THE FOLLOWING:  
1. HYBRID FILTER, 50 DB ATTENUATION AT 100 KHZ.  
2. THERMO DYNAMIC FUSING.  
3. LOW LET THROUGH VOLTAGE RATINGS.  
4. 3 PHASE SURGE CAPABILITY PER PHASE SHALL BE 120 KA, L-G 60 KA, L-N 60 KA.  
5. PROVIDE AS THOR SYSTEMS INC. 804-355-1100 OR APPROVED EQUAL.

**3 ELECTRICAL ONE LINE DIAGRAM - INSTALLATION**  
E-6 N.T.S.



**4 TELECOMMUNICATIONS ONE LINE DIAGRAM**  
E-3 NTS

DESIGNATION TYPED ON DIRECTORY	COND (")	GRND (#)	WIRE SIZE	BRKR RAT'G	CKT NO.	S/N	DESIGNATION TYPED ON DIRECTORY	COND (")	GRND (#)	WIRE SIZE	BRKR RAT'G	CKT NO.
PUMP CONTROL PANEL	2-1/2"	#6	3/0	200	1		GEN BATTERY CHARGER	2	#12	#12	3/4"	2
					3		SPACE	4				4
					5		GEN CONTROLS	6	#12	#12	3/4"	5
					7		GEN JACKET HEATER	8	#10	#10	3/4"	8
TELEMETRY	3/4"	#12	#12	20	7		SPACE	10				10
SPACE					9		AREA LIGHTING	12	#12	#12	3/4"	12
HOOD LIGHT	3/4"	#12	#12	20	11		SPACE	14				14
RACK RECEPTACLE	3/4"	#12	#12	20	13		SPACE	16				16
SPACE					15		SPACE	18				18
					17		SPACE	20				20
					19		SPACE	22				22
					21		SPACE	24				24
					23		SPACE	26				26
					25		SPACE	28				28
					27		SPACE	30				30

**PANEL "B"**

(25,000 MIN. AIC INTERRUPTING)  
PROVIDE ARC FAULT HAZARD WARNING SIGNAGE. PROVIDE PHENOLIC LABELS WITH NAME, VOLTAGE, & PHASE.  
(UTILIZE #10 AWG WIRE ON ALL 20 AMPERE 1 POLE BRANCH CIRCUITS OVER 75 FT. LENGTH.)  
B PHASE SHALL BE THE PHASE HAVING THE HIGHER VOLTAGE TO GROUND. DO NOT CONNECT UNGROUNDED CONDUCTOR TO PHASE HAVING HIGHER VOLTAGE TO GROUND. PROVIDE LABEL ON PANEL.

**CONDUIT & CABLE SCHEDULE CONTINUED**

- 16 CAT 6 CABLES  
1" CONDUIT
- 17 2" SPARE CONDUIT FOR TELEPHONE UTILITY

NOT USED

**GREEN ENGINEERING**  
WATER, WASTEWATER, SURVEYING, PLANNING, PROJECT MANAGEMENT  
NORTH CAROLINA FIRM LICENSE: P-0115  
303 GOLDSBORO STREET EAST, P.O. BOX 609 WILSON, N.C. 27893  
TEL (252) 237-5365 FAX (252) 243-7489 OFFICE@GREENENG.COM

**HYDE COUNTY PUBLIC UTILITIES**  
**BOOSTER PUMP STATIONS**  
TOWN / CITY NAME COUNTY, NORTH CAROLINA

**NEW HOLLAND**  
**BOOSTER PUMP ST.**  
**ONE LINE DIAGRAM + SCHEDULES**

REVISION	DATE	BY	DATE
ADDENDA #1 SCADA	3/19/25	REP	

October 30, 2023  
GRAPHIC SCALE  
0 10 20  
SCALE IN FEET

CLIENT CODE: XXXXX  
JOB NUMBER: XX-XXX  
FIELD BOOK: XXX  
CADFILE: LD6341.dwg  
ASCII FILE:  
LAST MODIFIED: 30-Oct-23  
MODIFIED BY: XXX

**SHEET NO. E-6 OF 11**

*Ronald E. Pledger*  
SEAL C-0416  
SEAL 11654  
REGISTERED PROFESSIONAL ENGINEER  
NORTH CAROLINA  
DIBBLE & PLEDGER, P.A.

11/6/2025 #1676 LD6341  
ELECTRICAL DESIGN BY:  
**DIBBLE & PLEDGER, P.A.**  
222 WEST MAIN STREET, WASHINGTON N.C. 27889  
PHONE: (252) 946-3320 FAX: (252) 946-5160  
E-MAIL: rpledger@dibbleandpledger.com

RELEASED FOR CONSTRUCTION