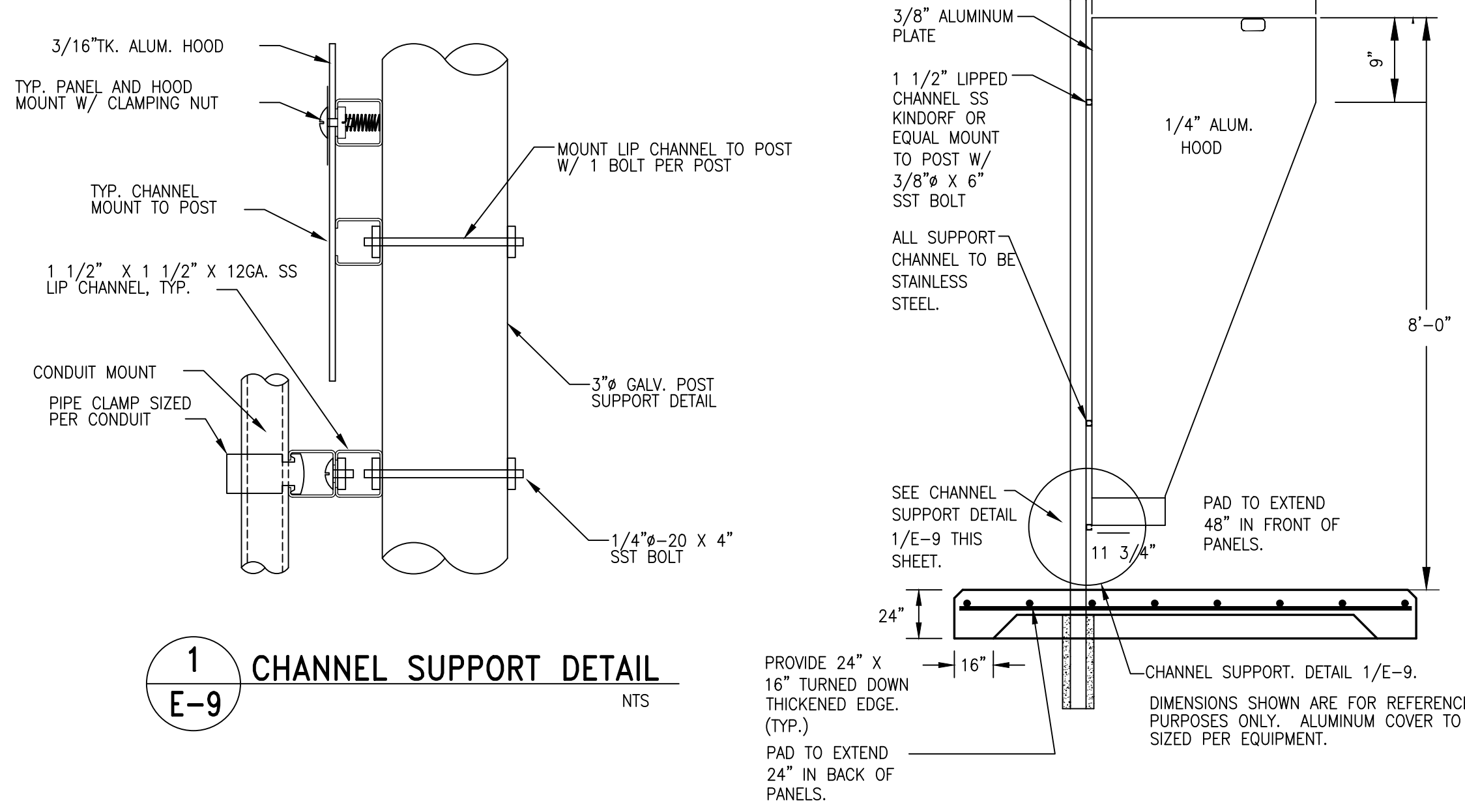
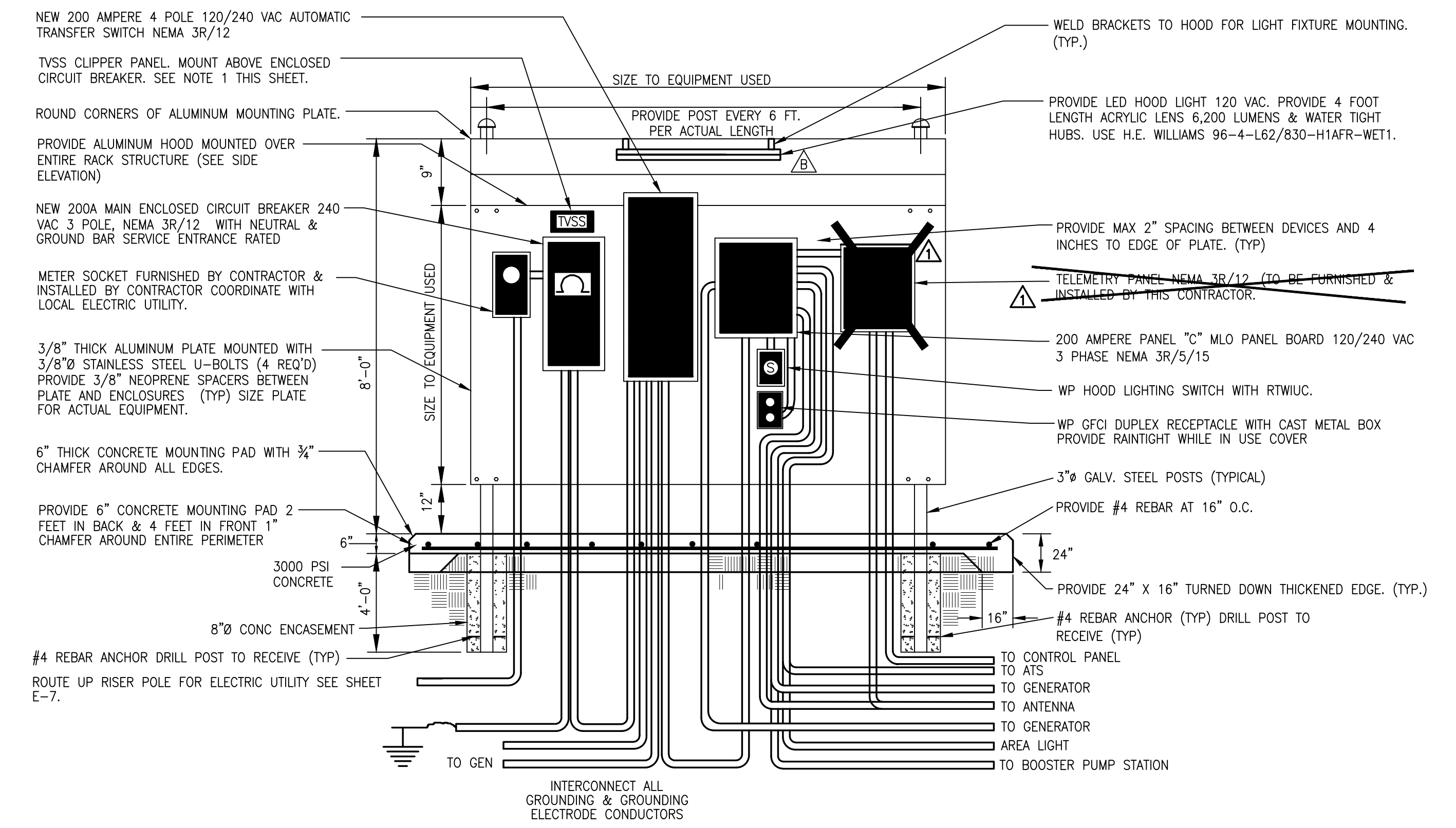


CONDUIT & CABLE SCHEDULE

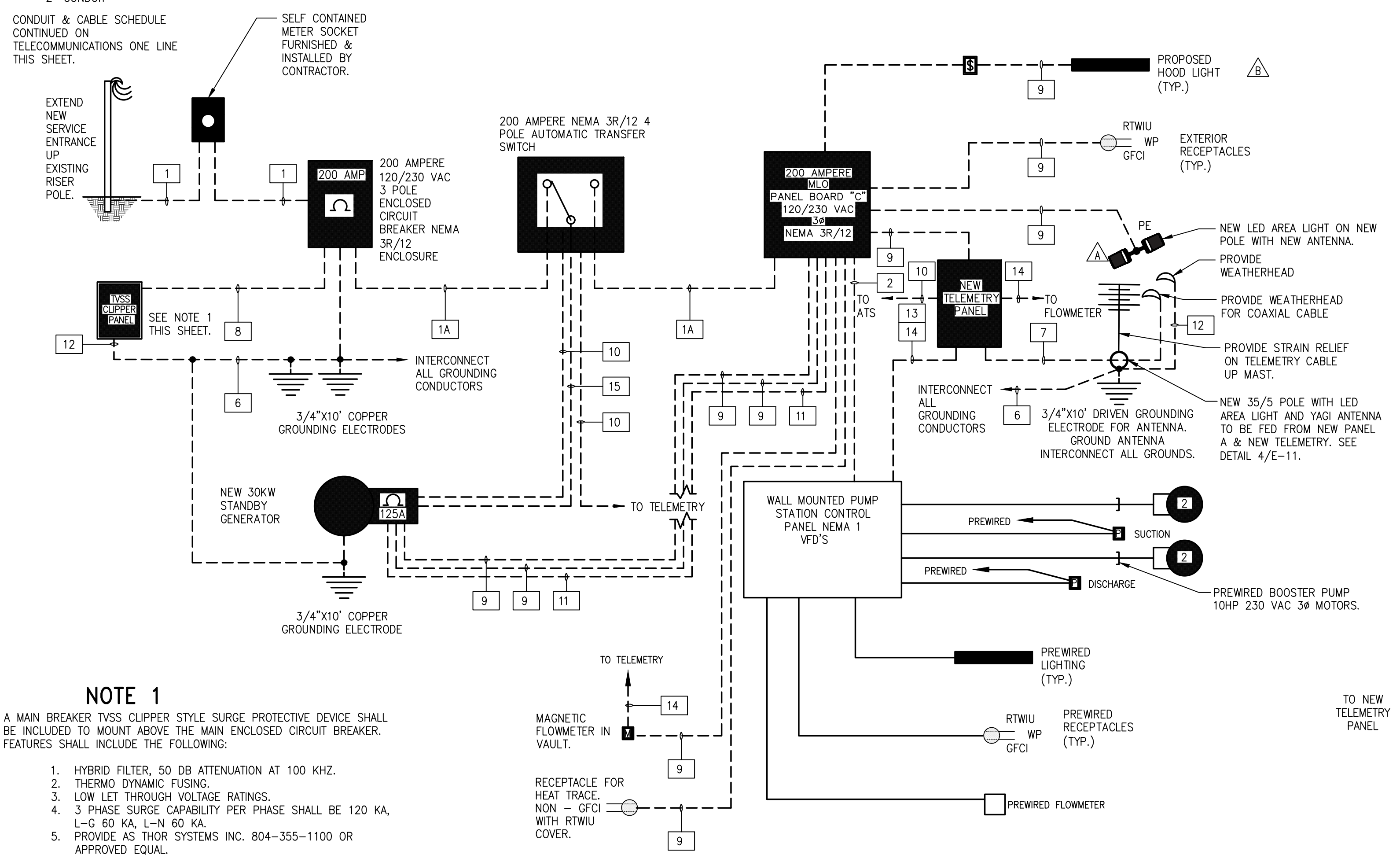
- 1 3-3/0 AWG CU. THHN/THWN UNGROUNDED CONDUCTORS
1-3/0 AWG CU. THHN/THWN NEUTRAL CONDUCTOR
2-1/2" CONDUIT
- 1A 3-3/0 AWG CU. THHN/THWN UNGROUNDED CONDUCTORS
1-3/0 AWG CU. THHN/THWN NEUTRAL CONDUCTOR
1-#6 AWG CU. THHN/THWN GROUNDING CONDUCTOR
2-1/2" CONDUIT
- 2 3-3/0 AWG CU. THHN/THWN UNGROUNDED CONDUCTORS
1-3/0 AWG CU. THHN/THWN NEUTRAL CONDUCTOR
1-#6 AWG CU. THHN/THWN GROUNDING CONDUCTOR
2-1/2" CONDUIT
- 3 MANUFACTURER'S POWER & CONTROL CABLES CONTINUOUS NO SPLICES
2" CONDUIT
- 4 MANUFACTURER'S SENSOR CABLES CONTINUOUS NO SPLICES.
2" CONDUIT
- 5 FLOAT CONTROL CABLES CONTINUOUS NO SPLICES.
2" CONDUIT
- 6 1-#2 AWG CU. THHN/THWN GROUNDING CONDUCTOR
3/4" CONDUIT
- 7 2" CONDUIT FOR TELEMETRY COAXIAL CABLE
- 8 SURGE CABLE
1" CONDUIT
- 9 1-#12 AWG CU. THHN/THWN UNGROUNDED CONDUCTORS
1-#12 AWG CU. THHN/THWN NEUTRAL CONDUCTOR
1-#12 AWG CU. THHN/THWN GROUNDING CONDUCTOR
3/4" CONDUIT
- 10 4-#14 AWG CU. THHN/THWN ALARM CONDUCTORS
1-#14 AWG CU. THHN/THWN GROUNDING CONDUCTOR
3/4" CONDUIT
- 11 1-#10 AWG CU. THHN/THWN UNGROUNDED CONDUCTORS
1-#10 AWG CU. THHN/THWN NEUTRAL CONDUCTOR
1-#10 AWG CU. THHN/THWN GROUNDING CONDUCTOR
3/4" CONDUIT
- 12 1-#8 AWG CU. THHN/THWN GROUNDING CONDUCTOR
3/4" CONDUIT
- 13 20-#14 AWG CU. THHN/THWN ALARM CONDUCTORS
1-#14 AWG CU. THHN/THWN GROUNDING CONDUCTOR
3/4" CONDUIT
- 14 2 - 2 PAIR (4 CONDUCTOR) TWISTED SHIELDED INSTRUMENTATION CABLE W/ TAPE SHIELD & DRAIN WIRES 16 AWG
1" CONDUIT
- 15 3-1/0 AWG CU. THHN/THWN UNGROUNDED CONDUCTORS
1-1/0 AWG CU. THHN/THWN NEUTRAL CONDUCTOR
1-#6 AWG CU. THHN/THWN GROUNDING CONDUCTOR
2" CONDUIT



1 CHANNEL SUPPORT DETAIL
E-9 NTS



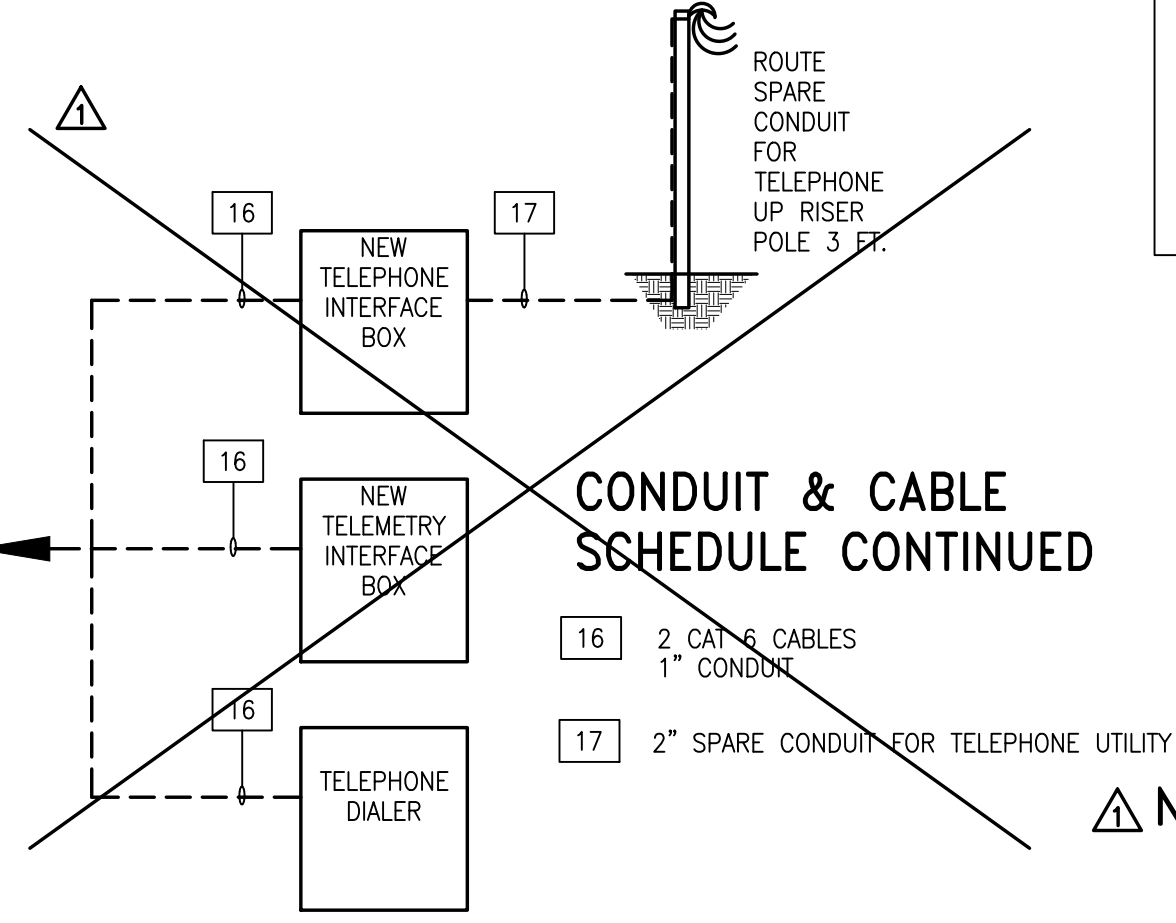
2 REMOTE STATION EQUIPMENT RACK
E-9 REFER TO CONDUIT & CABLE SCHEDULE FOR ALL CONDUIT & WIRE NTS



NOTE 1
A MAIN BREAKER TVSS CLIPPER STYLE SURGE PROTECTIVE DEVICE SHALL BE INCLUDED TO MOUNT ABOVE THE MAIN ENCLOSED CIRCUIT BREAKER. FEATURES SHALL INCLUDE THE FOLLOWING:
1. HYBRID FILTER, 50 DB ATTENUATION AT 100 KHZ.
2. THERMO DYNAMIC FUSING.
3. LOW LET THROUGH VOLTAGE RATINGS.
4. 3 PHASE SURGE CAPABILITY PER PHASE SHALL BE 120 KA, L-G 60 KA, L-N 60 KA
5. PROVIDE AS THOR SYSTEMS INC. 804-355-1100 OR APPROVED EQUAL.

3 ELECTRICAL ONE LINE DIAGRAM - INSTALLATION
E-9 N.T.S.

DESIGNATION TYPED ON DIRECTORY	COND (#)	GRND #	WIRE SIZE	BRKR RATG	CKT NO.	S/N	DESIGNATION TYPED ON DIRECTORY
PUMP CONTROL PANEL	2-1/2"	#6	3/0	200	1		GEN BATTERY CHARGER
					3		SPACE
					4		SPACE
TELEMETRY	3/4"	#12	#12	20	7		GEN CONTROLS
SPACE					9		SPACE
HOOD LIGHT	3/4"	#12	#12	20	11		AREA LIGHTING
RACK RECEPTACLE	3/4"	#12	#12	20	13		HEAT TRACE RECEPTACLE
SPACE					15		SPACE
MAGNETIC FLOWMETER	3/4"	#12	#12	20	17		SPACE
SPACES					19		SPACE
					20		SPACE
					21		SPACE
					22		SPACE
					23		SPACE
					24		SPACE
					25		SPACE
					26		SPACE
					27		SPACE
					28		SPACE
					29		SPACE



4 TELECOMMUNICATIONS ONE LINE DIAGRAM
E-9 NTS

PANEL "C"

(25,000 MIN. AIC INTERRUPTING)
PROVIDE ARC FAULT HAZARD WARNING SIGNAGE. PROVIDE PHENOLIC LABELS WITH NAME, VOLTAGE, & PHASE.
(UTILIZE #10 AWG WIRE ON ALL 20 AMPERE 1 POLE BRANCH CIRCUITS OVER 75 FT. LENGTH.)
B PHASE SHALL BE THE PHASE HAVING THE HIGHER VOLTAGE TO GROUND. DO NOT CONNECT UNGROUNDED CONDUCTOR TO PHASE HAVING HIGHER VOLTAGE TO GROUND. PROVIDE LABEL ON PANEL.

Ronald E. Pledger
SEAL C-0416
SEAL 11654
REGISTERED PROFESSIONAL ENGINEER
NORTH CAROLINA
ROYAL D. E. PLEDGER, P.A.

11/6/2025 #1676 LD6341

RELEASED FOR CONSTRUCTION
ELECTRICAL DESIGN BY:
DIBBLE & PLEDGER, P.A.
222 WEST MAIN STREET, WASHINGTON N.C. 27889
PHONE: (252) 946-3320 FAX: (252) 946-5160
E-MAIL: rpledger@dibbleandpledger.com

GREEN ENGINEERING
WATER, WASTEWATER, SURVEYING, PLANNING, PROJECT MANAGEMENT
NORTH CAROLINA FIRM LICENSE: P-0115
303 GOLDSBORO STREET EAST, P.O. BOX 609 WILSON, N.C. 27893
TEL (252) 237-5365 FAX (252) 243-7489 OFFICE@GREENENG.COM

HYDE COUNTY PUBLIC UTILITIES
BOOSTER PUMP STATIONS
TOWN / CITY NAME
COUNTY, NORTH CAROLINA

DANIELS ELECTRICAL
ONE LINE DIAGRAM + SCHEDULES

REVISION	DATE	BY	DATE
ADDENDA #1 SCADA	3/19/25	REP	

GRAPHIC SCALE
0 10 20
SCALE IN FEET

CLIENT CODE: XXXXX
JOB NUMBER: XX-XXX
FIELD BOOK: XXX
CADFILE: LD6341.dwg
ASCII FILE:
LAST MODIFIED: 30-Oct-23
MODIFIED BY: XXX

SHEET NO. **E-9** OF **11**

C:\Users\obos\Dropbox\Cad\1676 Drawings\LD6341 booster pump stations.dwg Last Plotted by: ASHLEY WINDHAM for Green Engineering on Wednesday, March 19, 2025 @ 12:25:31 PM